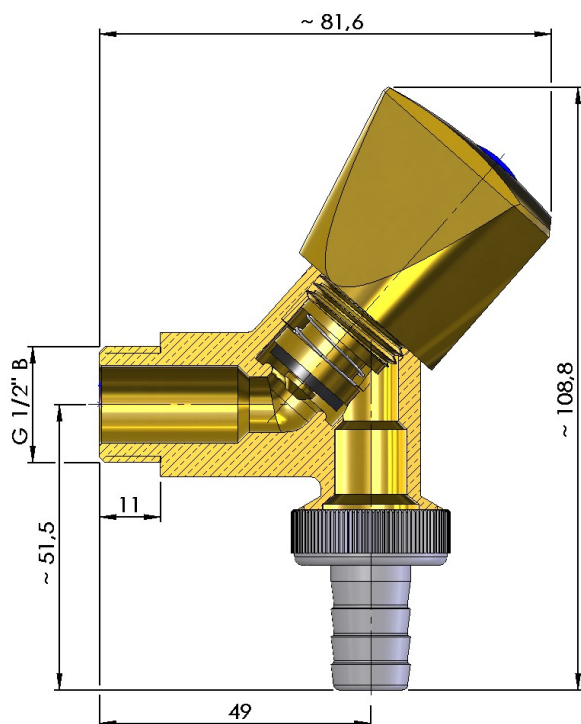


Technical Data Sheet

Product: Inclined Seat Valve, with backflow-preventer and hose connector,
grease chamber headpart with three-cornered-handle,
Finishing: chrome-polished

Article-No.: 00 1735 1550 001



Technical Data

Medium:	Water
Temperature:	max. 90°C
Circulating Pressure:	max. 10 bar (PN 10)
Materials:	Body: brass
	Headpart: brass
	Gaskets: EPDM (approved for drinking water)
	Spring: stainless steel
	Hose Connector: Polyamid